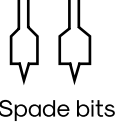
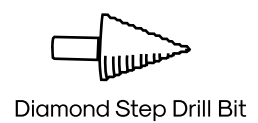
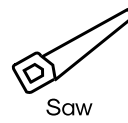
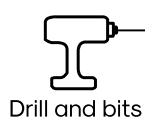




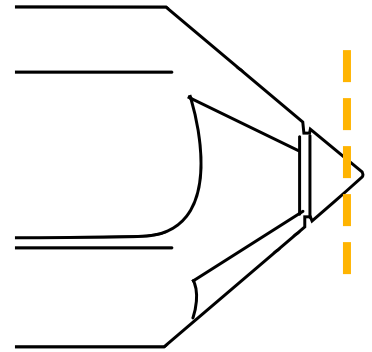
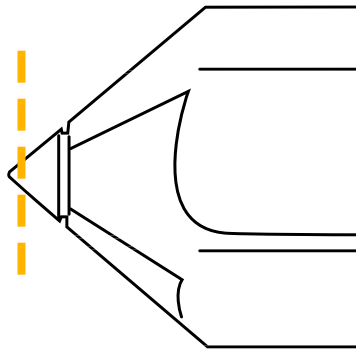
tools
recommended



01

saw off the tip (sounds harsh)

Using a saw, saw off the the tip of the pencil ends, so that the tips are no longer round

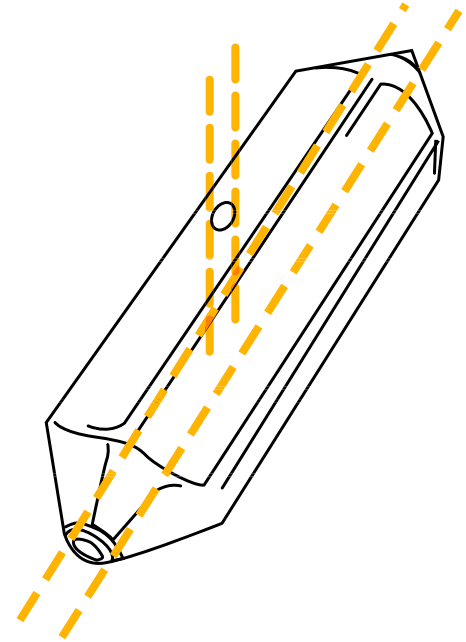
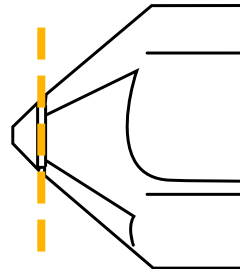


Congrats on the One Show Pencil! Well deserved from perseverance and hard work. Lucky for you this won't be as hard. Eye it out, and trust your own preference. Enjoy the full benefits from your award.

02

saw off left side of head

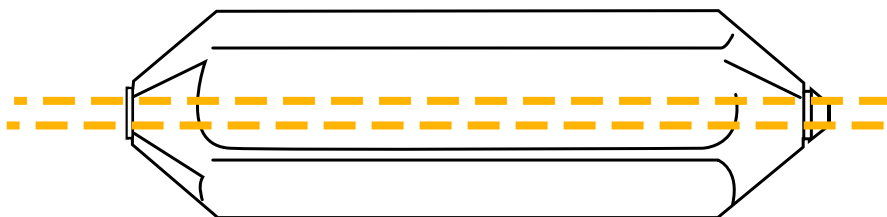
Saw off the left side of the head to make the cap. The cap can vary in size, there is a no correct size. But if your colleagues complain about the cap size, blame it on this pdf.



03

make the pipe

Starting from the left, and using a bit, try drill through to the other end. Try using a clamp to hold the award downs so you can get a straight pipe.



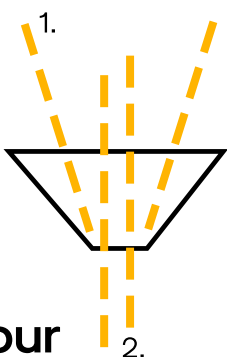
Making the bowl hole

Drill a hole with the hole saw bit (1/2) on top of the pencil till you hit the tunnel you made before.

04

05

make your cap / bowl



1. Using a diamond step drill bit from the bottom, don't drill all the way through.
2. Then drill from the top to the bottom with a regular bit. (your preference of the bit)

06

you get the rest

I recommend using a mesh to smoke so your not inhaling ash.

